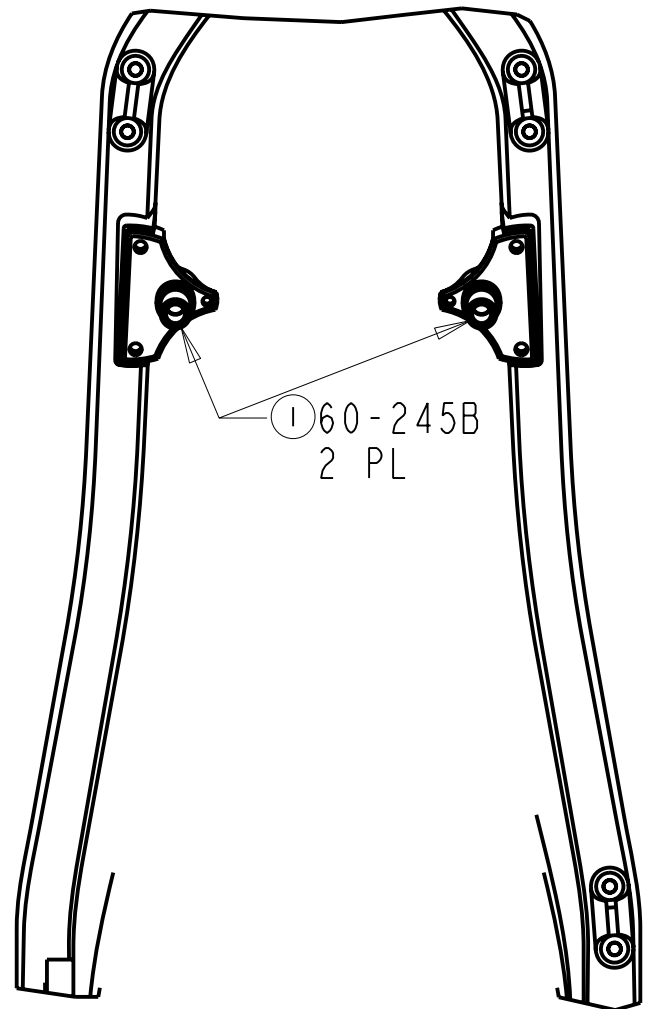


CUSTOMER SERVICE
INFORMATION FOR
EDGE FRAMES

	MATERIAL	KESTREL BICYCLES		
	WEIGHT	PART: EDGE FRAME		
DO NOT SCALE		PART# CUSTOMER SERVICE	2007	
	A	11/20/06	COLIN HUGHES	
	mm		TYPE: ASSEM	

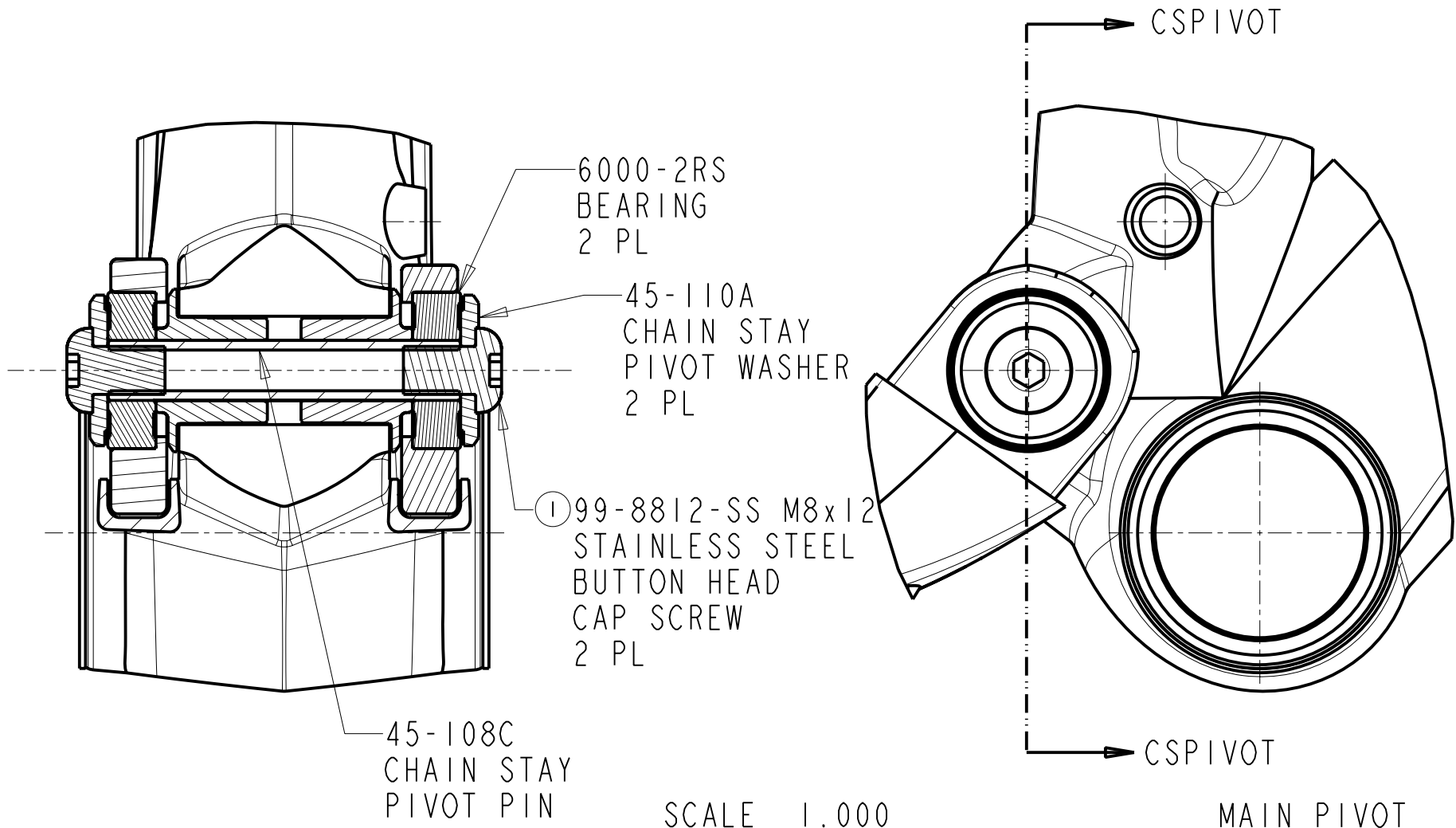


SCALE 0.500

BRAKE POSTS

NOTE:
 ① TORQUE TO 5 Nm
 WITH LOCTITE 222MS

	MATERIAL	KESTREL BICYCLES		
	WEIGHT	PART: EDGE FRAME		
		PART# CUSTOMER SERVICE	2007	
DO NOT SCALE		A	11/20/06	COLIN HUGHES
		mm		TYPE: ASSEM



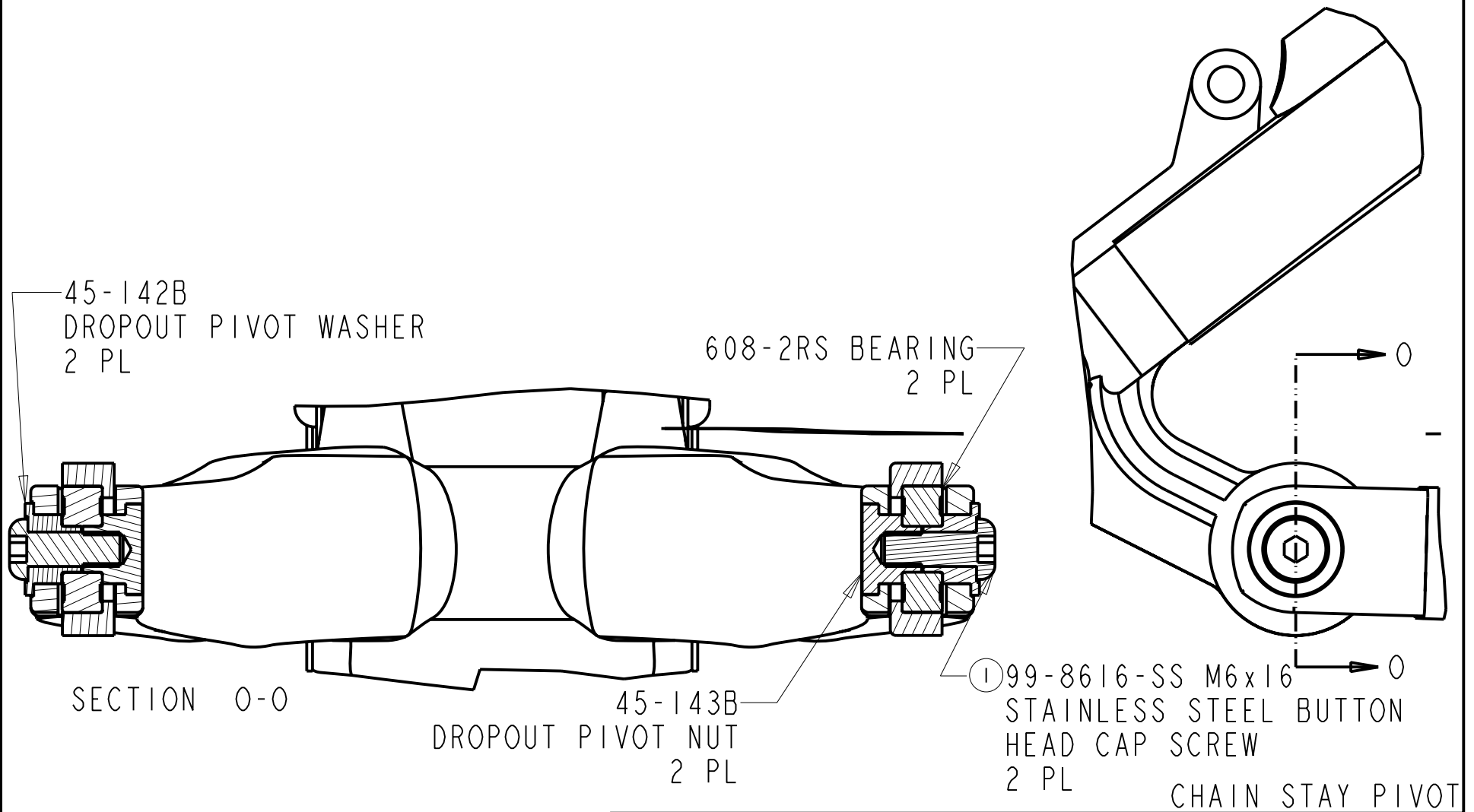
SECTION CSPIVOT-CSPIVOT

SCALE 1.000

MAIN PIVOT

NOTE:
 ① TORQUE TO 10Nm
 WITH LOCTITE 222MS

	MATERIAL	KESTREL BICYCLES		
	WEIGHT	PART: EDGE FRAME		
		PART# CUSTOMER SERVICE	2007	
DO NOT SCALE		A	11/20/06	COLIN HUGHES
		mm		TYPE: ASSEM

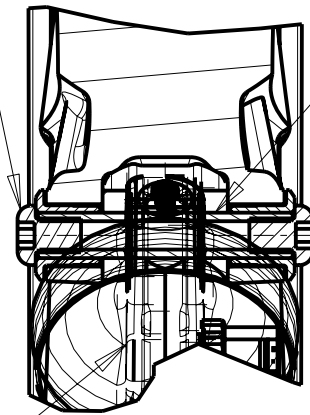


NOTE:
① TORQUE TO 5Nm
WITH LOCTITE 222MS

	MATERIAL	KESTREL BICYCLES		
	WEIGHT	PART: EDGE FRAME		
		PART# CUSTOMER SERVICE	2007	
DO NOT SCALE		A	11/20/06	COLIN HUGHES
		mm		TYPE: ASSEM

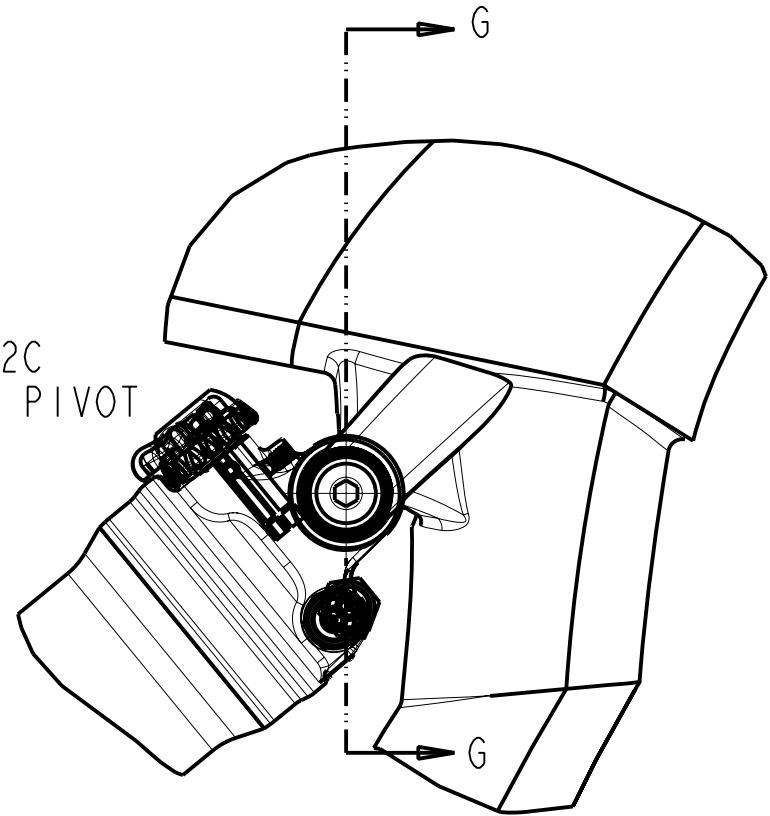
① 99-868-SS M6x8
STAINLESS STEEL BUTTON
HEAD CAP SCREW
2 PLS

45-112C
SHOCK PIVOT



SECTION G-G

FOX FLOAT RP3 SHOCK



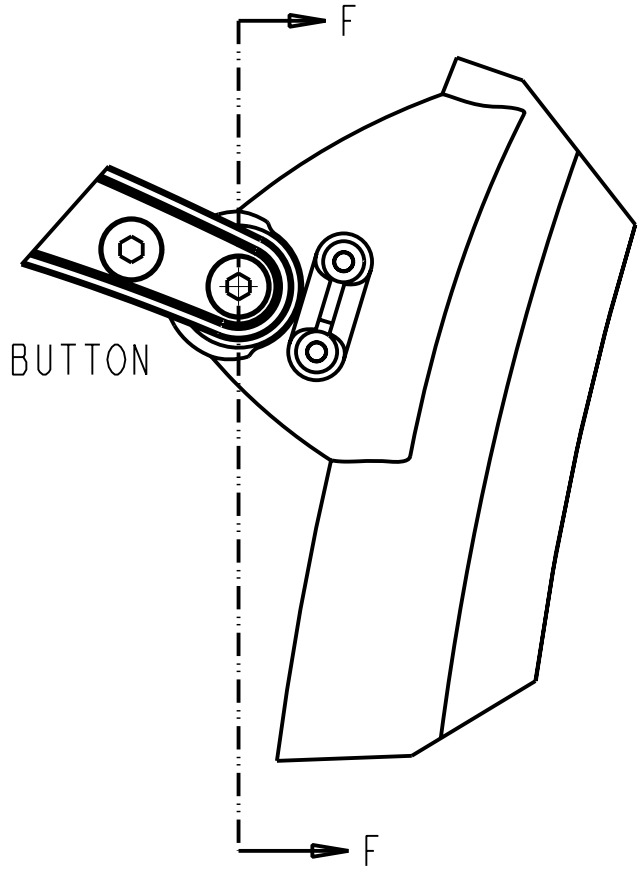
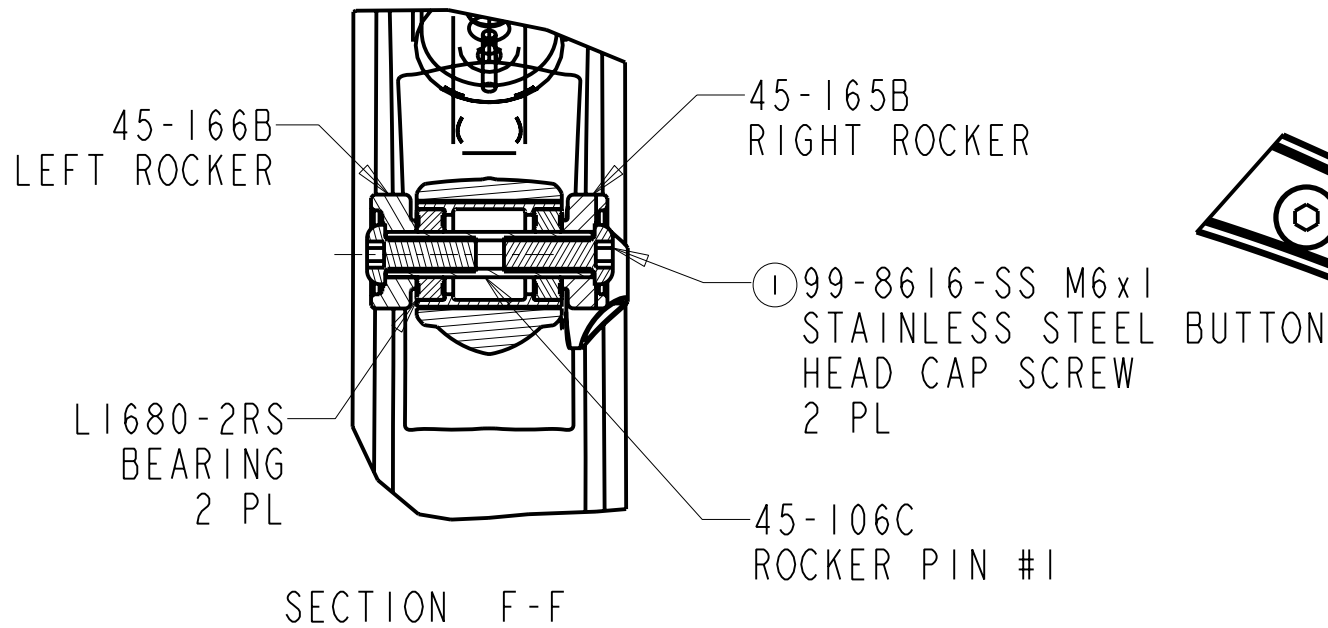
SCALE 0.750

SHOCK MOUNT

NOTE:

① TORQUE TO 5 Nm
WITH LOCTITE 222MS

	MATERIAL	KESTREL BICYCLES		
	WEIGHT	PART: EDGE FRAME		
		PART# CUSTOMER SERVICE	2007	
DO NOT SCALE		A	11/20/06	COLIN HUGHES
		mm		TYPE: ASSEM

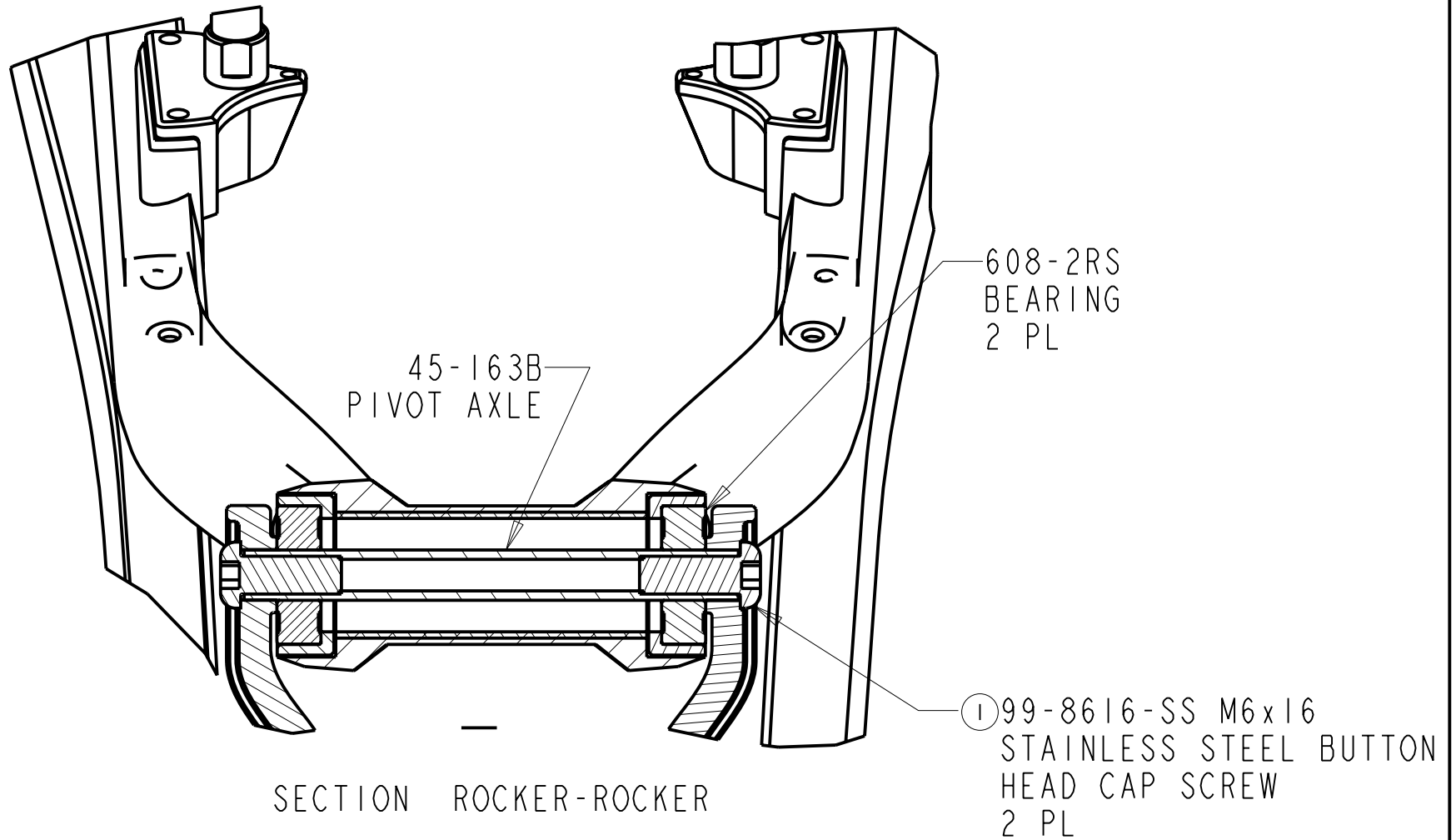


NOTE:
① TORQUE TO 5Nm
WITH LOCTITE 222MS

SCALE 0.750

ROCKER PIVOT

	MATERIAL	KESTREL BICYCLES		
	WEIGHT	PART: EDGE FRAME		
		PART# CUSTOMER SERVICE	2007	
DO NOT SCALE		A	11/20/06	COLIN HUGHES
		mm		TYPE: ASSEM



SECTION ROCKER-ROCKER

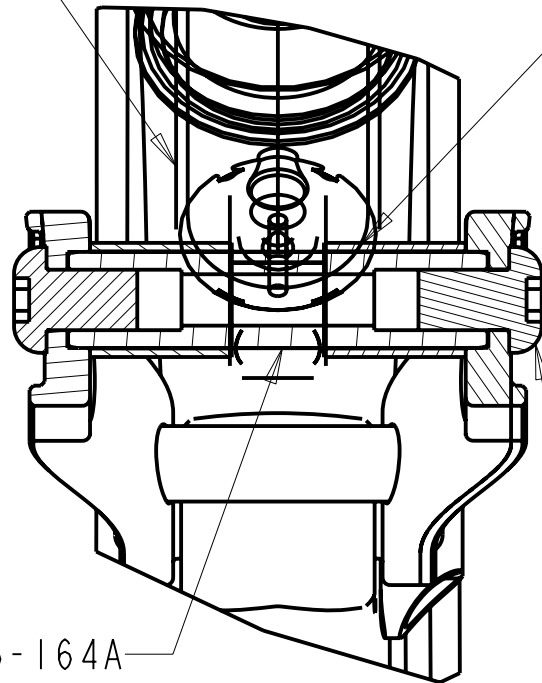
SEAT STAY PIVOT

NOTE:

① TORQUE TO 5Nm
WITH LOCTITE 222MS

	MATERIAL	KESTREL BICYCLES		
	WEIGHT	PART: EDGE FRAME		
		PART# CUSTOMER SERVICE	2007	
DO NOT SCALE		A	11/20/06	COLIN HUGHES
		mm		TYPE: ASSEM

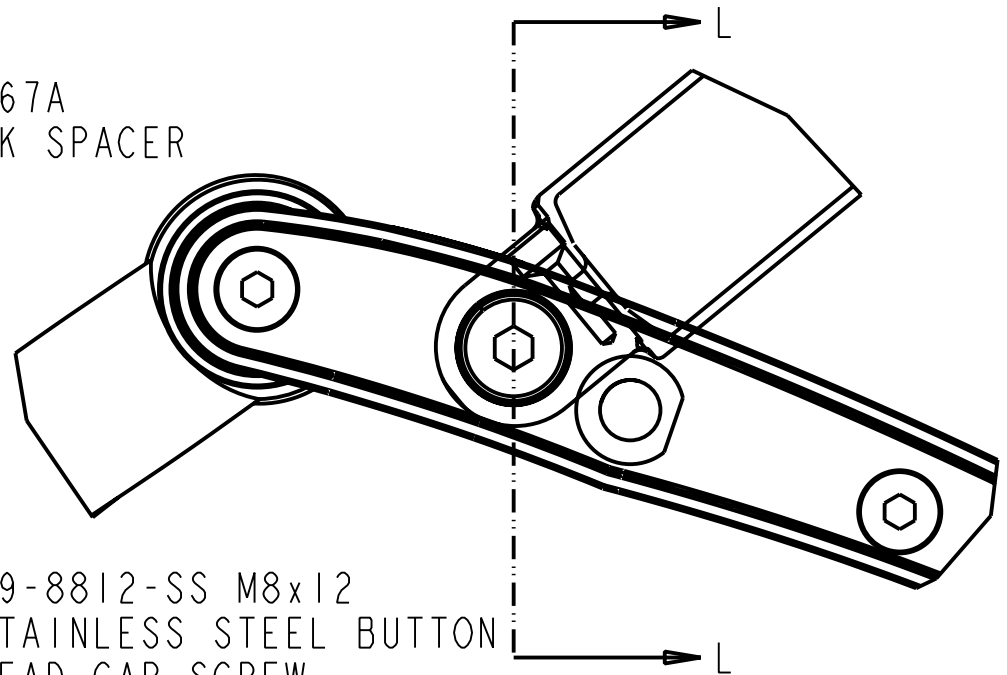
FOX FLOAT RP3 SHOCK



45-164A
ROCKER PIN #3

SECTION L-L

45-167A
SHOCK SPACER
2 PL



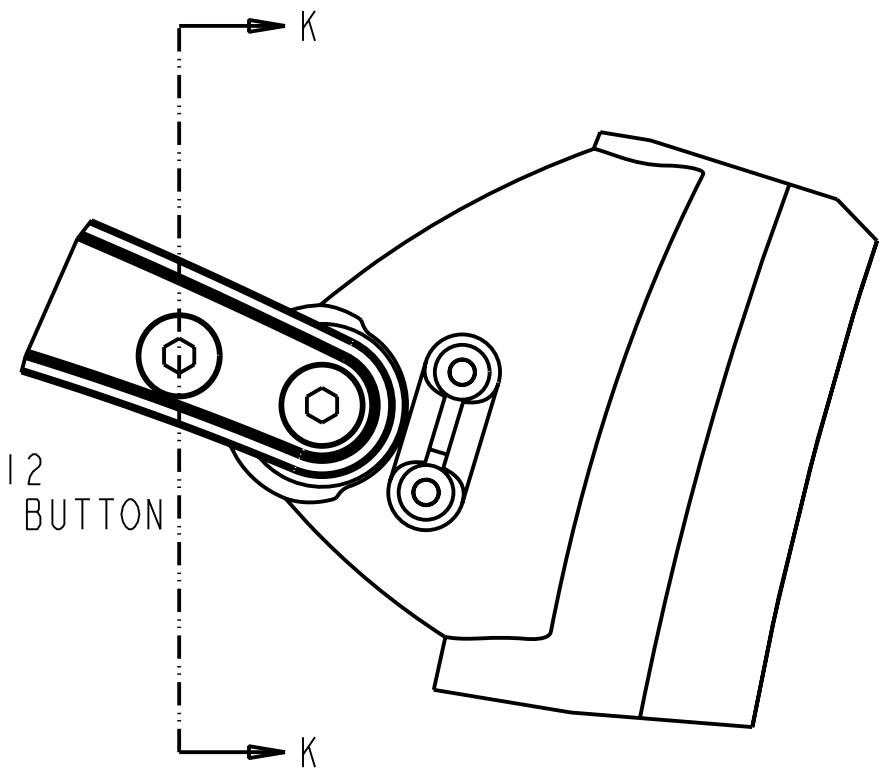
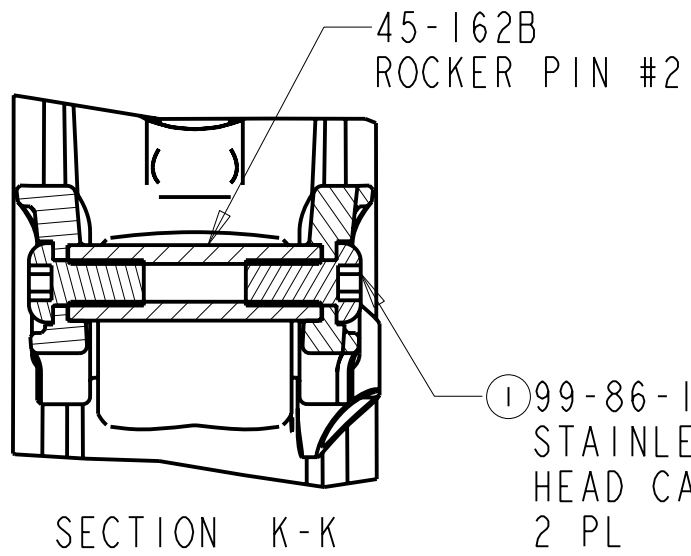
① 99-8812-SS M8x12
STAINLESS STEEL BUTTON
HEAD CAP SCREW
2 PL

ROCKER SHOCK MOUNT

NOTE:

① TORQUE TO 5Nm
WITH LOCTITE 222MS

	MATERIAL	KESTREL BICYCLES		
	WEIGHT	PART: EDGE FRAME		
		PART# CUSTOMER SERVICE	2007	
DO NOT SCALE		A	11/20/06	COLIN HUGHES
		mm		TYPE: ASSEM



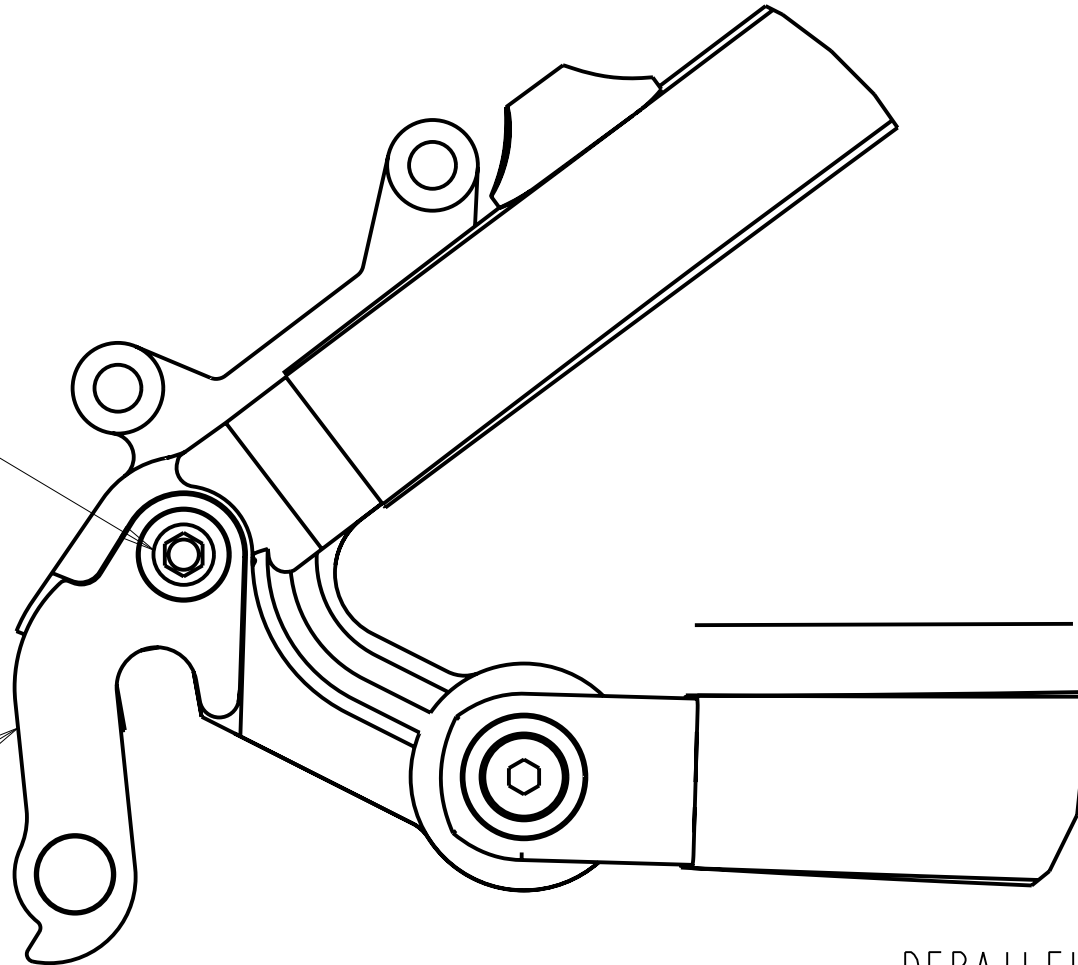
ROCKER PIN

NOTE:
 ① TORQUE TO 5Nm
 WITH LOCTITE 222MS

	MATERIAL	KESTREL BICYCLES		
	WEIGHT	PART: EDGE FRAME		
		PART# CUSTOMER SERVICE	2007	
DO NOT SCALE		A	11/20/06	COLIN HUGHES
		mm		TYPE: ASSEM

① 99-3108-CS
CHAINRING BOLT

30-38-112-ED
DERAILLEUR
HANGER

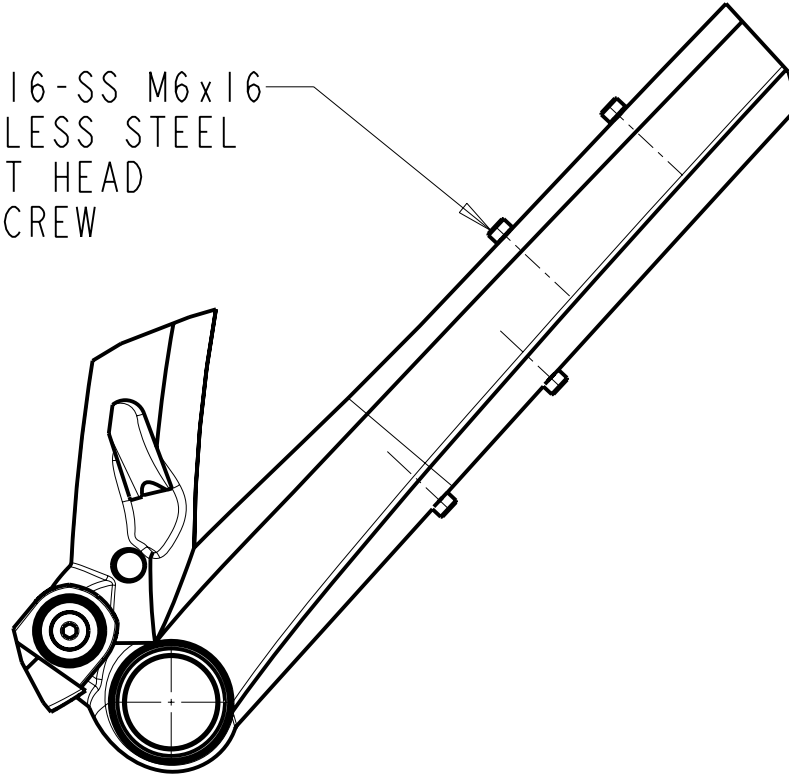


DERAILEUR HANGER

NOTE:
① GREASE PART AND TORQUE
TO 3 Nm

	MATERIAL	KESTREL BICYCLES		
	WEIGHT	PART: EDGE FRAME		
		PART# CUSTOMER SERVICE	2007	
DO NOT SCALE		A	11/20/06	COLIN HUGHES
		mm		TYPE: ASSEM

① 99-7516-SS M6x16
 STAINLESS STEEL
 SOCKET HEAD
 CAP SCREW
 4 PL



SCALE 0.350

WATER BOTTLE BOLTS

NOTE:
 ① GREASE PART
 AND TORQUE TO
 2 Nm

	MATERIAL	KESTREL BICYCLES		
	WEIGHT	PART: EDGE FRAME		
		PART# CUSTOMER SERVICE	2007	
DO NOT SCALE		A	11/20/06	COLIN HUGHES
		mm		TYPE: ASSEM